



REPAIR PARTS

4 and 5 Ton A SERIES Air Handler w/Coil

A48-10
A48-15
A48-20
A49-08
A49-08C
A49-10
A49-15
A49-20
A60-10
A60-15
A60-20
A61-00
A61-10
A61-15
A61-20

This manual is to be used by qualified technicians only.

This manual replaces RP-515.

© 1991-2009 Goodman Manufacturing Company, L.P. ♦ 5151 San Felipe, Suite 500 ♦ Houston, TX 77056

Important Information

Index

Functional Parts List	3
Illustration and Parts	4 - 5

Views shown are for parts illustrations only, not servicing procedures.

Added model A61-00 and corrected blower housing part numbers.

Text Codes:

AR - As Required

NA - Not Available

NS - Not Shown

00000000 - See Note

QTY - Quantity Example (QTY 3) (If Quantity not shown, Quantity = 1)

M - Model Example (M1) (If M Code not shown, then part is used on all Models)

Expanded Model Nomenclature:

Example M1 - Model#1 M2 - Model#2 M3 - Model#3

Goodman Manufacturing Company, L.P. is not responsible for personal injury or property damage resulting from improper service. Review all service information before beginning repairs.

Warranty service must be performed by an authorized technician, using authorized factory parts. If service is required after the warranty expires, Goodman Manufacturing Company, L.P. also recommends contacting an authorized technician and using authorized factory parts.

Goodman Manufacturing Company, L.P. reserves the right to discontinue, or change at any time, specifications or designs without notice or without incurring obligations.

For assistance within the U.S.A. contact:
Consumer Affairs Department
Goodman Manufacturing Company, L.P.
7401 Security Way
Houston, Texas 77040
877-254-4729-Telephone
713-863-2382-Facsimile

For assistance outside the U.S.A. contact:
International Division
Goodman Manufacturing Company, L.P.
7401 Security Way
Houston, Texas 77040
713-861-2500-Telephone
713-863-2382-Facsimile

Functional Parts

Part

No: Description:

B1370738	24V TIME DELAY RELAY
B13400353S	BLOWER MOTOR 1/2 HP, DIRECT DRIVE (M1, M2, M3, M4, M5, M6, M7, M8)
B13400208S	BLOWER MOTOR 3/4 HP, 2 SP, 230V (M9, M10, M11, M12, M13, M14, M15)
CAP125000370RPS	CAPACITOR 12.5/370V (M1, M2, M3, M4, M5, M6, M7, M8)
CAP150000370VAS	CAPACITOR 15/370V (M9, M10, M11, M12, M13, M14, M15)
B1141643	TRANSFORMER 208/230, 24V

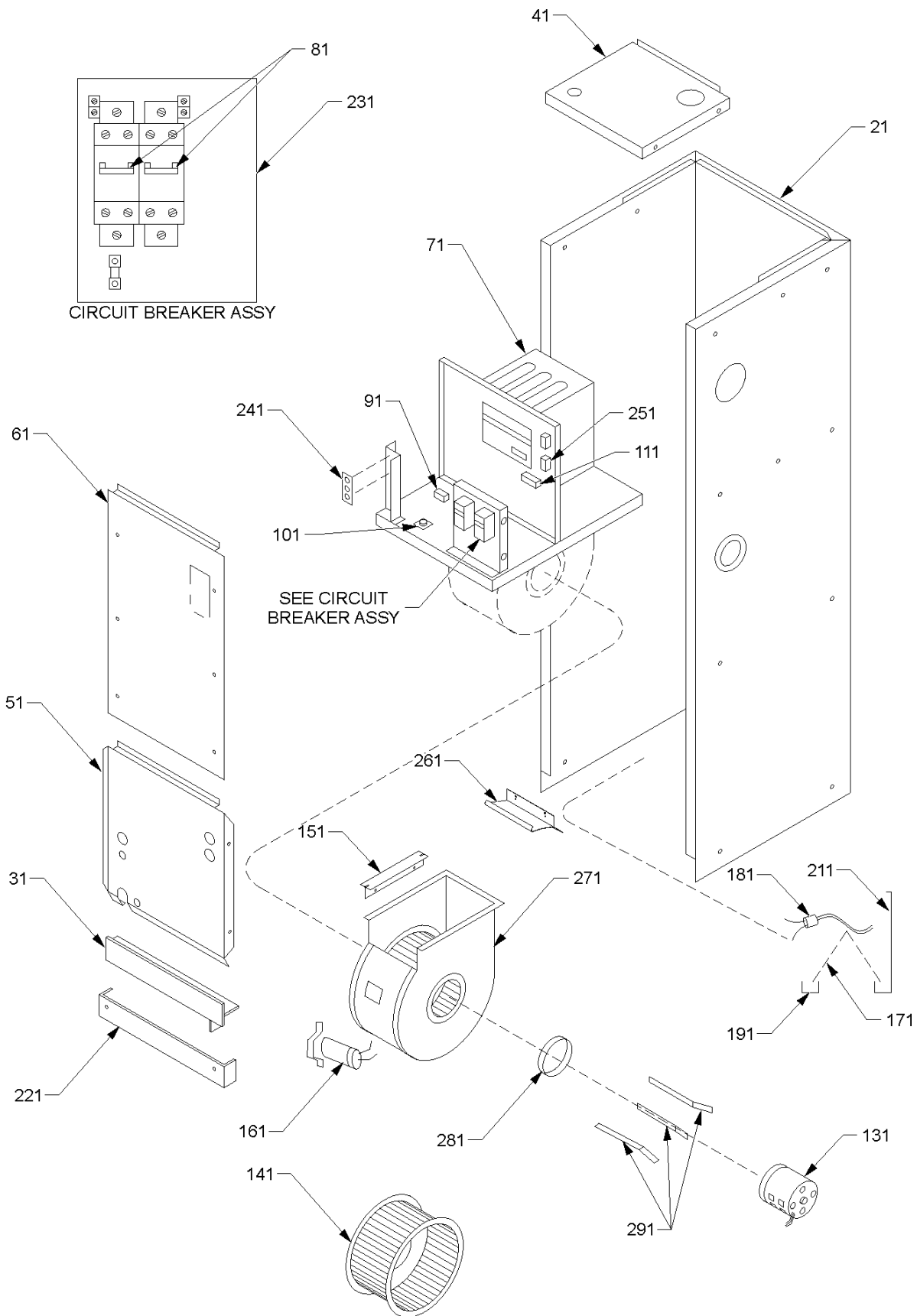
SPECIAL PARTS

IO-102G	INSTALLATION INSTRUCTIONS
PKC-0AC	PISTON KIT CHART

Expanded Model Nomenclature

M1 - A48-10
M2 - A48-15
M3 - A48-20
M4 - A49-08
M5 - A49-08C
M6 - A49-10
M7 - A49-15
M8 - A49-20
M9 - A60-10
M10 - A60-15
M11 - A60-20
M12 - A61-00
M13 - A61-10
M14 - A61-15
M15 - A61-20

Replacement Parts List



Replacement Parts List

Ref. Part No:	No:	Description:	Ref. Part No:	No:	Description:															
<i>Image 1:</i>			<i>Image 1:</i>																	
21	1721117	WRAPPER	241	B1368248	TERMINAL BLOCK (LOW VOLTAGE) (M2, M3, M7, M8, M10, M11, M14, M15)															
31	1721914	BOTTOM TIE CHANNEL	251	B1368250	TERMINAL BLOCK (HIGH VOLTAGE) (M4, M12)															
41	1721909	UPPER TIE PLATE	261	1864700	BLOWER CUT-OFF 10 X 10 (M9, M10, M11, M12, M13, M14, M15)															
51	1722057P	LOWER ACCESS PANEL	261	764736	BLOWER CUT-OFF 10 X 8 (M1, M2, M3, M4, M5, M6, M7, M8)															
61	1722023P	UPPER ACCESS PANEL	271	0271A00016S	BLOWER HOUSING ASSY 10 X 10 (M9, M10, M11, M12, M13, M14, M15)															
71	B1037488S	HEAT ELEMENT W/SWITCH 10 KW (M1, M6, M9, M13)	271	5660205S	BLOWER HOUSING ASSY 10 X 8 (M1, M2, M3, M4, M5, M6, M7, M8)															
71	B1037489S	HEAT ELEMENT W/SWITCH 15 KW (M2, M3, M7, M8, M10, M11, M14, M15)	281	0121M00038	MOTOR MOUNT BAND (M9, M10, M11, M12, M13, M14, M15)															
71	B1037485S	HEAT ELEMENT W/SWITCH 5 KW (M3, M8, M11, M15)	291	B1376853	MOTOR MOUNT ARM (M9, M10, M11, M12, M13, M14, M15)															
71	B1037487S	HEAT ELEMENT W/SWITCH 8 KW (M4, M5)	NS	1717103	BLOWER MOUNTING ANGLE															
81	CBK2PD240VA030S	CIRCUIT BREAKER 30 AMP (GE) (M2, M7, M10, M14)	NS	1717104	BLOWER MOUNTING ANGLE															
81	CBK2PD240VA040S	CIRCUIT BREAKER 40 AMP (GE) (M5)	NS	B821700	CAPACITOR BOOT															
81	CBK2PD240VA060S	CIRCUIT BREAKER 60 AMP (M1, M2, M3, M6, M7, M8, M9, M10, M11, M13, M14, M15)	Expanded Model Nomenclature																	
91	B1256553	SEQUENCER 12 -15 KW (M2, M7, M10, M14)	<table border="1"> <tr><td>M1 - A48-10</td></tr> <tr><td>M2 - A48-15</td></tr> <tr><td>M3 - A48-20</td></tr> <tr><td>M4 - A49-08</td></tr> <tr><td>M5 - A49-08C</td></tr> <tr><td>M6 - A49-10</td></tr> <tr><td>M7 - A49-15</td></tr> <tr><td>M8 - A49-20</td></tr> <tr><td>M9 - A60-10</td></tr> <tr><td>M10 - A60-15</td></tr> <tr><td>M11 - A60-20</td></tr> <tr><td>M12 - A61-00</td></tr> <tr><td>M13 - A61-10</td></tr> <tr><td>M14 - A61-15</td></tr> <tr><td>M15 - A61-20</td></tr> </table>			M1 - A48-10	M2 - A48-15	M3 - A48-20	M4 - A49-08	M5 - A49-08C	M6 - A49-10	M7 - A49-15	M8 - A49-20	M9 - A60-10	M10 - A60-15	M11 - A60-20	M12 - A61-00	M13 - A61-10	M14 - A61-15	M15 - A61-20
M1 - A48-10																				
M2 - A48-15																				
M3 - A48-20																				
M4 - A49-08																				
M5 - A49-08C																				
M6 - A49-10																				
M7 - A49-15																				
M8 - A49-20																				
M9 - A60-10																				
M10 - A60-15																				
M11 - A60-20																				
M12 - A61-00																				
M13 - A61-10																				
M14 - A61-15																				
M15 - A61-20																				
91	B1256552	SEQUENCER 8 - 10 KW (M1, M4, M5, M6, M9, M13)																		
91	B1256554	SEQUENCER A48/60 20 KW (M3, M8, M11, M15)																		
101	B1370738	24V TIME DELAY RELAY																		
111	B1141643	TRANSFORMER 208/230, 24V																		
131	B13400353S	BLOWER MOTOR 1/2 HP, DIRECT DRIVE (M1, M2, M3, M4, M5, M6, M7, M8)																		
131	B13400208S	BLOWER MOTOR 3/4 HP, 2 SP, 230V (M9, M10, M11, M12, M13, M14, M15)																		
141	B1368047A	BLOWER WHEEL 10 X 10 (M9, M10, M11, M12, M13, M14, M15)																		
141	B1368036S	BLOWER WHEEL 9 X 8 (M1, M2, M3, M4, M5, M6, M7, M8)																		
151	1717104	BLOWER MOUNTING ANGLE (QTY 2)																		
161	CAP125000370RPS	CAPACITOR 12.5/370V (M1, M2, M3, M4, M5, M6, M7, M8)																		
161	CAP150000370VAS	CAPACITOR 15/370V (M9, M10, M11, M12, M13, M14, M15)																		
171	P1400A48L	SERVICE COIL ASSY COMPLETE (M1, M2, M3)																		
171	P1400A49L	SERVICE COIL ASSY COMPLETE (M4, M5, M6, M7, M8)																		
171	P1400A60L	SERVICE COIL ASSY COMPLETE (M9, M10, M11)																		
171	P1400A61L	SERVICE COIL ASSY COMPLETE (M12, M13, M14, M15)																		
181	B1313682	FLOWRATOR .082 (M1, M2, M3, M4, M5, M6, M7, M8)																		
181	B1313690	FLOWRATOR .090 (M9, M10, M11)																		
181	B1313890	FLOWRATOR .090 (M12, M13, M14, M15)																		
191	B1755920H	VERTICAL/DOWNFLOW DRAIN PAN ASSY																		
211	B1755931L	HORIZONTAL DRAIN PAN ASSY																		
221	1721914	BOTTOM TIE / LARGE																		
231	1495206	CIRCUIT BREAKER PLATE (M1, M2, M3, M5, M6, M7, M8, M9, M10, M11, M13, M14, M15)																		

EFFECTIVE 4/1998: WHEN ORDERING SERVICE COIL ASSY, ALSO ORDER CORRESPONDING LOWER ACCESS PANEL.

